

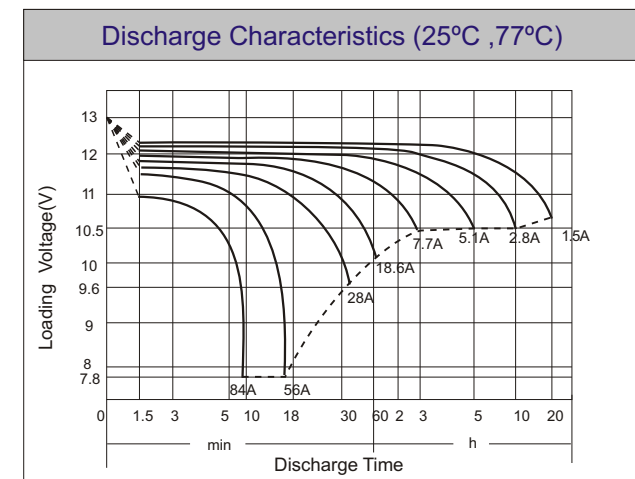
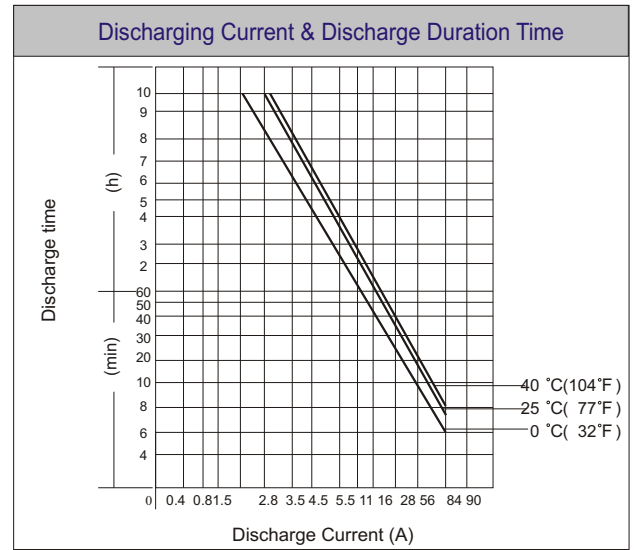
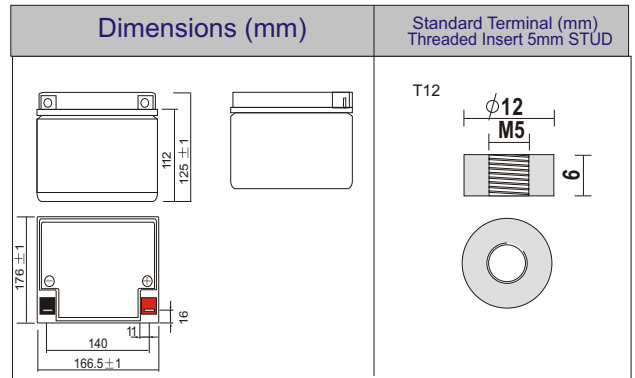


POWER-GUARD SERIES®



PG12V30

VRLA Sealed Long Life Battery



Physical Specification		
Nominal Voltage	12V	
Nominal Capacity (20HR)	30AH	
Dimension	Length	166.5 ± 1mm (6.93 inches)
	Width	176 ± 1mm (6.56 inches)
	Container Height	125 ± 1mm (4.92 inches)
	Total Height (with Terminal)	125 ± 1mm (4.92 inches)
Weight	Approx 8.6kg (18.96lbs)	
Standard Terminal	T12(standard)	

Electrical Specification					
Rated Capacity	20 hour rate (1.5 A)	30AH	Constant-Voltage	Cycle	Initial Charging Current less Than 8.4A. Voltage 14.4V~ 15.0V at 25°C (77°F) Temp. Coefficient -30mV/°C
	10 hour rate (2.8 A)	28AH			
	5 hour rate (5.10 A)	25.5AH			
	1 hour rate (18.6 A)	18.6AH			
	15minute rate (58.8 A)	14.7AH			
Capacity affected by Temperature	40°C (104°F)	103%	Charge	Standby	No limit on Initial Charging Current Voltage 13.5V~13.8V at 25°C(77°F) Temp. Coefficient -20mV/°C
	25°C (77°F)	100%			
	0°C (32°F)	86%			

Constant Current (Amp) and Constant Power (Watt) Discharge Table (25°C,77°F)												
Time(minute) Final voltage/Cell	5	10	15	20	30	45	60	120	180	300	600	1200
Amp/Watt/Cell	1.3	1.3	1.3	1.3	1.6	1.6	1.67	1.7	1.75	1.75	1.75	1.8
A	120.00	85.50	58.80	48.00	34.50	24.00	18.60	10.50	7.65	5.10	2.80	1.50
W	214.80	160.80	111.90	93.90	67.80	47.70	36.90	20.88	15.21	10.20	5.56	3.00